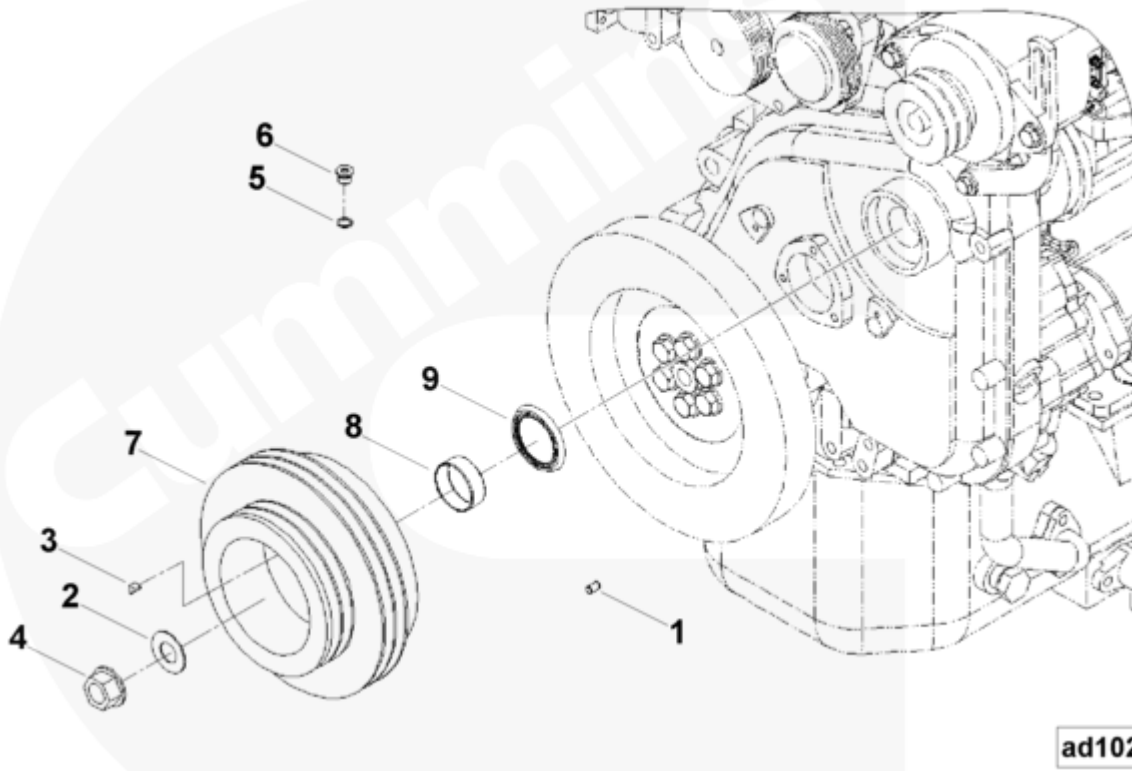




Parts Catalog - Option Detail

Electronic Parts Catalog - Option Detail				
Option	Group	Graphic	Film Card	Date
AD1100	09.03	ad102gy	F	04-MAY-93
Engines	NH/NT 855, NT495, NT743, NTA855 N106			

©Cummins Inc



[SMALL](#) | [MEDIUM](#) | [LARGE](#)

Cart	Ref No	Part Number	Part Description	Required	Remarks
View My Cart					
		AD1100	Accessory Drive		Five groove accessory drive...(More)
					pulley. Poly-vee groove to
					drive water pump. Two grooves
					to drive alternator when it
					is mounted above fuel pump
					(marine arrangement). Two
					empty grooves 0.625inch

					(16MM) apart, 7inch (178MM)
					diameter for SAE 1/2 inch
					belts.
<input type="checkbox"/>	1	70550	Pin Dowel	1	5/16 x 1/2 Inch
<input type="checkbox"/>	2	193136	Plain Washer	1	1 3/4 in.
<input type="checkbox"/>	3	3008947	Keyway Seal	1	
<input type="checkbox"/>	4	3012526	Hexagon Flange Nut	1	7/8 - 14 UNF
<input type="checkbox"/>	5	3037537	O-Ring Seal	1	
	6	3040813	Threaded Plug	1	9/16 - 18 UNF
<input type="checkbox"/>	7	3013538	Accessory Drive Pulley	1	
<input type="checkbox"/>	8	3076346	Wear Sleeve	1	
		3010340	Accessory Drive Pulley	1	
<input type="checkbox"/>	9	3076202	Dust Seal	1	